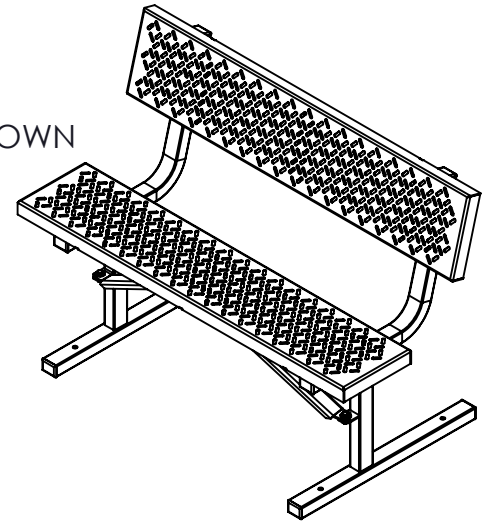
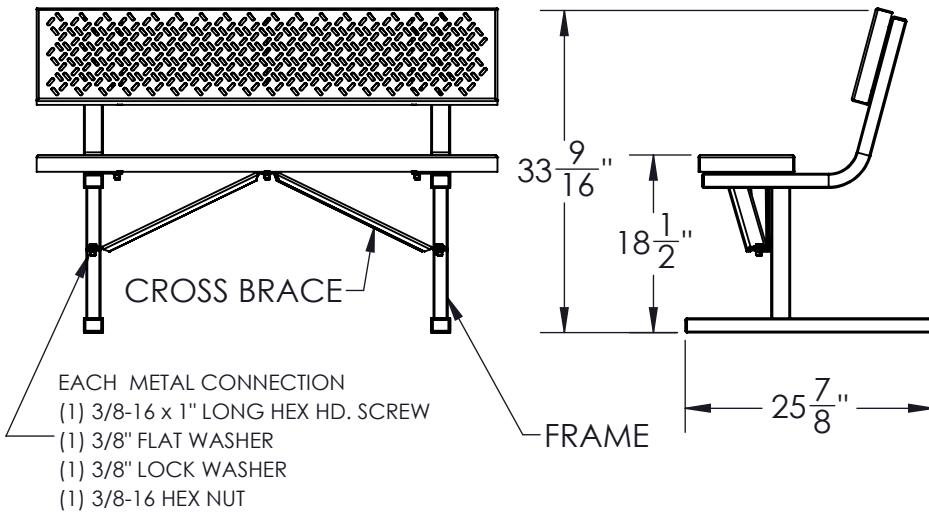


# PLAYERS BENCH

- PLAYERS BENCH FRAMES CONSIST OF 1-1/2" x 2" RECTANGULAR TUBING. SEAT AND BACK MOUNTING PLATES ARE CONSTRUCTED USING 12 GA. STEEL.
- MIDDLE OF BENCH IS SUPPORTED WITH (2) HEAVY DUTY FORMED CROSS BRACES.
- AVAILABLE STYLES WITH AND WITHOUT A BACK REST.
- AVAILABLE IN BOTH A PORTABLE/SURFACE MOUNT OR IN-GROUND MOUNTING STYLE.
- IN-GROUND MOUNTS SHOULD BE SUBMERGED INTO SUFFICIENT CONCRETE, SUPPLIED BY OTHERS, TO SUPPORT BENCH.
- BACK AND OR SEATS AVAILABLE IN POWDER COATED OR THERMOPLASTIC DECORATIVE PERF OR ROUND HOLE PERF AND TREATED LUMBER OR KILN DRIED LUMBER.

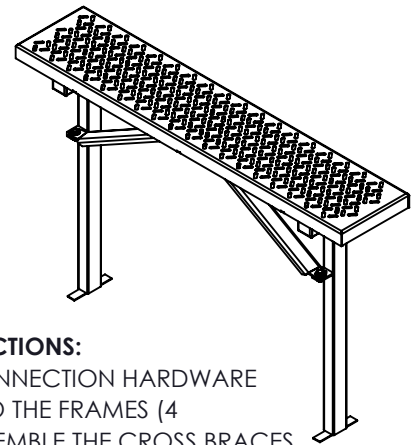
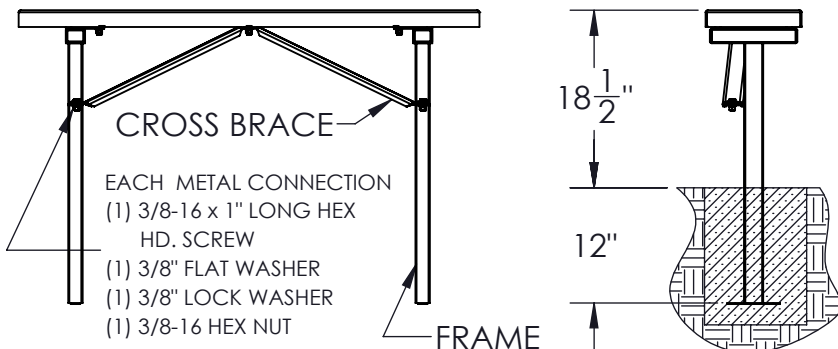
Available in 4', 6', & 8' Lengths

4' PORTABLE/SURFACE MOUNT, DECORATIVE PERF WITH BACK SHOWN



**INSTALLATION INSTRUCTIONS:**  
 USING THE METAL CONNECTION HARDWARE ASSEMBLE THE SEAT AND BACK REST BRACKETS TO THE FRAMES (8 CONNECTIONS). ASSEMBLE THE CROSS BRACES TO THE SEAT BRACKETS AND THE FRAMES (4 CONNECTIONS).

4' IN-GROUND MOUNT, DECORATIVE PERF WITHOUT BACK SHOWN



**INSTALLATION INSTRUCTIONS:**  
 USING THE METAL CONNECTION HARDWARE ASSEMBLE THE SEAT TO THE FRAMES (4 CONNECTIONS). ASSEMBLE THE CROSS BRACES TO THE SEAT AND THE FRAMES (4 CONNECTIONS).

CUSTOMER APPROVAL :

DATE :

**JAMESTOWN**  
 ADVANCED  
 PRODUCTS  
 CORPORATION

THIS DRAWING, WHICH CONTAINS PROPRIETARY INFORMATION, IS THE PROPERTY OF JAMESTOWN ADVANCED PRODUCTS CORPORATION. IT SHALL NOT BE REPRODUCED IN ANY MANNER NOR DISCLOSED TO THIRD PARTIES WITHOUT WRITTEN PERMISSION OF JAMESTOWN ADVANCED PRODUCTS CORPORATION.

DATE : 3/22/18

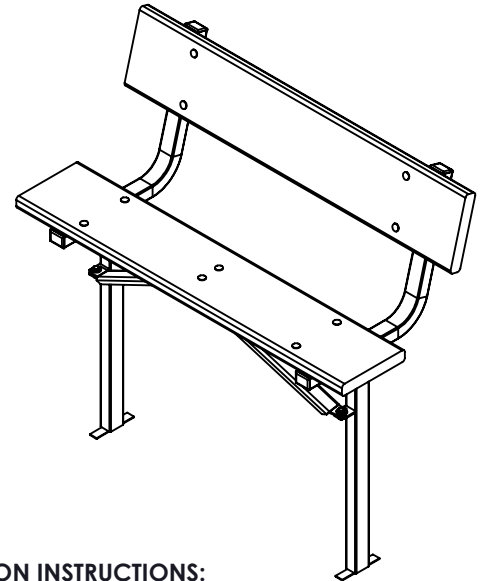
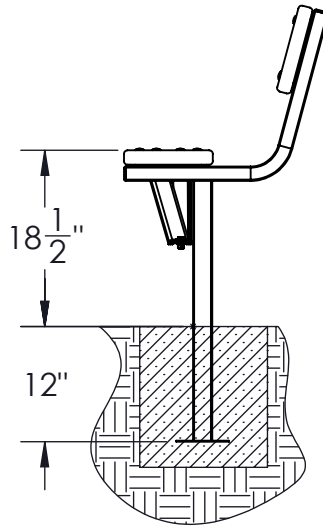
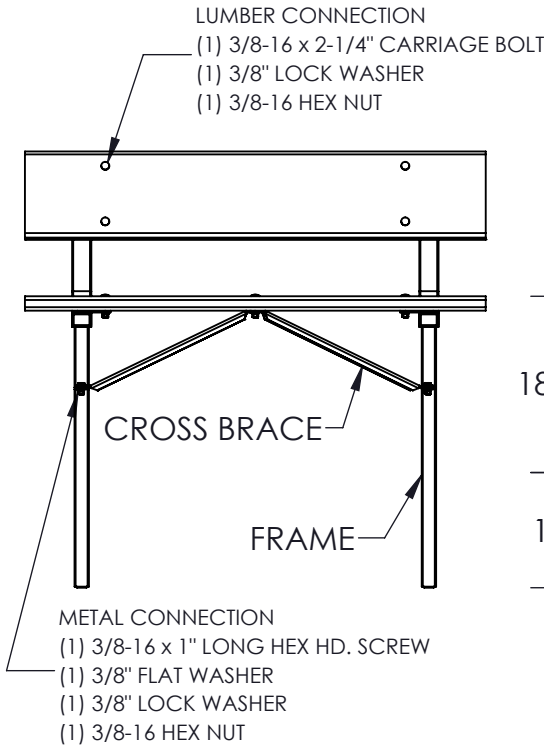
PRODUCT PART NUMBER : 13431, 13511, 13512, 13514, 13515, 13516

REV. NO. A

PRODUCT DESCRIPTION :  
 PLAYERS BENCH

2855 GIRTS ROAD  
 JAMESTOWN, NY 14701

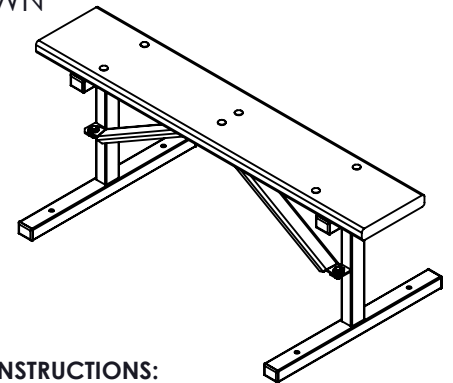
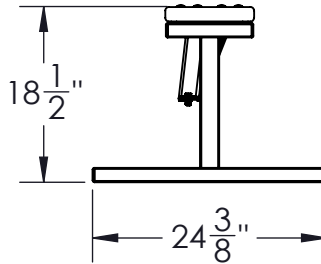
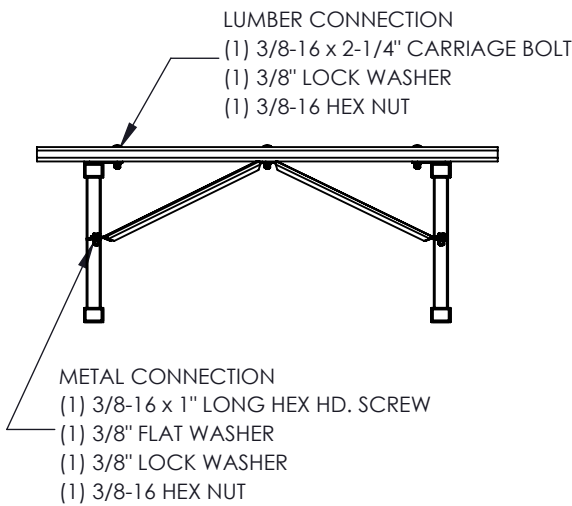
4' IN-GROUND MOUNT, TREATED LUMBER WITH BACK SHOWN



**INSTALLATION INSTRUCTIONS:**

USING THE LUMBER CONNECTION HARDWARE ASSEMBLE THE SEAT AND BACK REST TO THE FRAMES (8 CONNECTIONS). ASSEMBLE THE CROSS BRACES TO THE SEAT BRACKETS USING THE LUMBER CONNECTION HARDWARE (2 CONNECTIONS). ASSEMBLE THE FRAMES TO THE CROSS BRACES USING THE METAL CONNECTION HARDWARE (4 CONNECTIONS).

4' PORTABLE/SURFACE MOUNT, TREATED LUMBER WITHOUT BACK SHOWN



**INSTALLATION INSTRUCTIONS:**

USING THE LUMBER CONNECTION HARDWARE ASSEMBLE THE SEAT TO THE FRAMES (4 CONNECTIONS). ASSEMBLE THE CROSS BRACES TO THE SEAT BRACKETS USING THE LUMBER CONNECTION HARDWARE (2 CONNECTIONS). ASSEMBLE THE FRAMES TO THE CROSS BRACES USING THE METAL CONNECTION HARDWARE (4 CONNECTIONS).

CUSTOMER APPROVAL :

DATE :



THIS DRAWING, WHICH CONTAINS PROPRIETARY INFORMATION, IS THE PROPERTY OF JAMESTOWN ADVANCED PRODUCTS CORPORATION. IT SHALL NOT BE REPRODUCED IN ANY MANNER NOR DISCLOSED TO THIRD PARTIES WITHOUT WRITTEN PERMISSION OF JAMESTOWN ADVANCED PRODUCTS CORPORATION.

DATE : 3/22/18

PRODUCT PART NUMBER : 13431, 13511, 13512, 13514, 13515, 13516

REV. NO. A

PRODUCT DESCRIPTION :  
 PLAYERS BENCH

2855 GIRTS ROAD  
 JAMESTOWN, NY 14701