

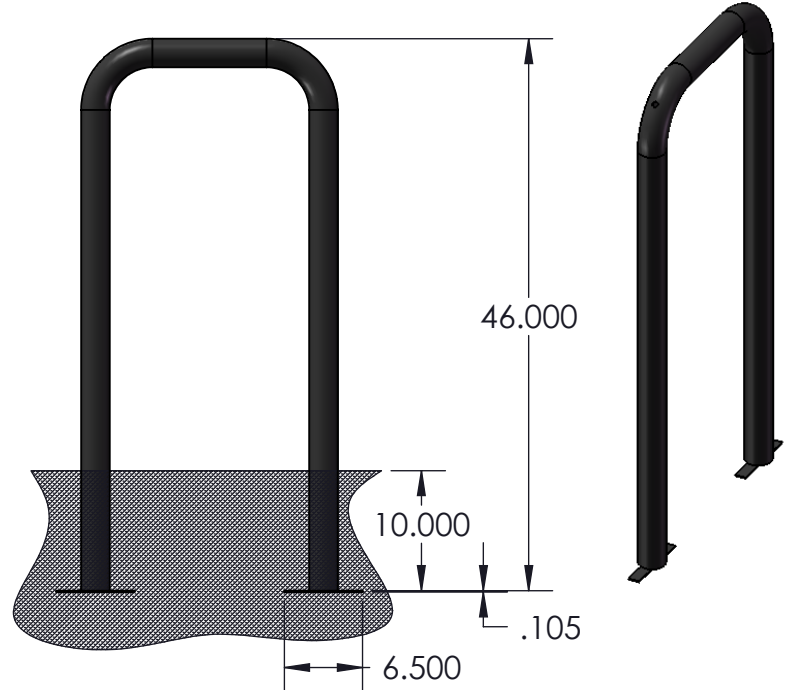
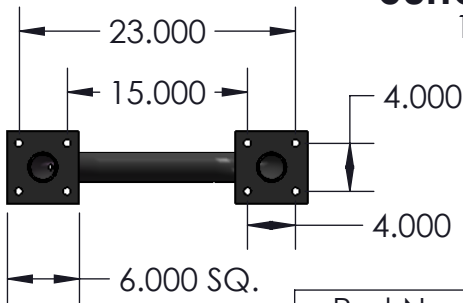
KENNEDY BIKE RACK

MODEL #13143-X-X

- 2 bike dual sided rack capable of parking 1 bike per side.
- The u-frame is fabricated using 2-3/8" OD tube/pipe and (2) 1/4" thick steel surface mounting plates or (2) 1" x 6-1/2" 12 ga. steel in-ground anchors.
- All welded component fabrication. Approximate weight for surface mount = 27lbs., in-ground mount = 31lbs.
- Mounting options available are surface or in-ground mount.
- There are (3) different finishes available to protect this bike rack from the elements:
 - Powder coated paint finish with your choice of colors (available upon request).
 - Plascoat (thermoplastic powder) is excellent protection against the elements with your choice of colors (available upon request). Plascoat is resistant to stress cracking, adverse weather conditions, detergents, salt spray and typical airborne pollutants. The material maintains excellent adhesion to the metal substrate and provides good abrasion and impact resistance.
 - Hot dip galvanized finish.



Surface Mount
13143-X-1



In-Ground Mount
13143-X-2

Part Number	Description
13143-1-1	Powder Coated Surface Mount
13143-1-2	Powder Coated In-Ground Mount
13143-2-1	Plascoat Surface Mount
13143-2-2	Plascoat In-Ground Mount
13143-3-1	Hot Dip Galvanized Surface Mount
13143-3-2	Hot Dip Galvanized In-Ground Mount

WARNING: MUST BE PERMANENTLY MOUNTED

CUSTOMER APPROVAL :

DATE :



THIS DRAWING, WHICH CONTAINS PROPRIETARY INFORMATION, IS THE PROPERTY OF JAMESTOWN ADVANCED PRODUCTS CORPORATION. IT SHALL NOT BE REPRODUCED IN ANY MANNER NOR DISCLOSED TO THIRD PARTIES WITHOUT WRITTEN PERMISSION OF JAMESTOWN ADVANCED PRODUCTS CORPORATION.

DATE : 15 NOV 07

PRODUCT PART NUMBER : 13143

REV. NO. 2 12/10/15

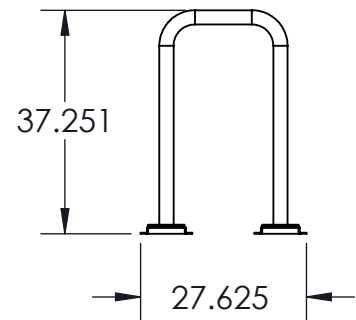
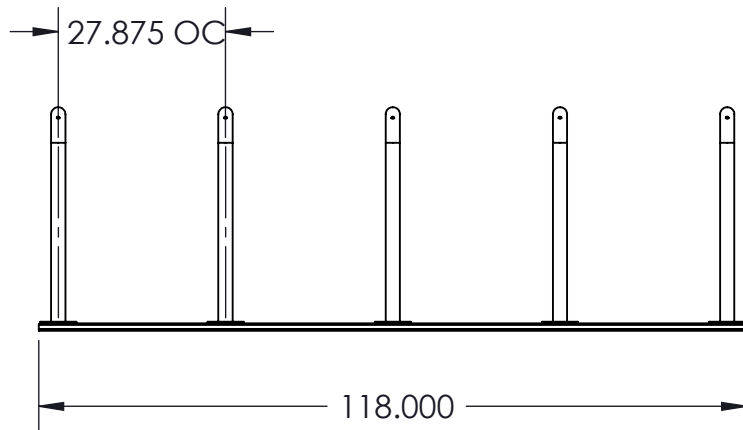
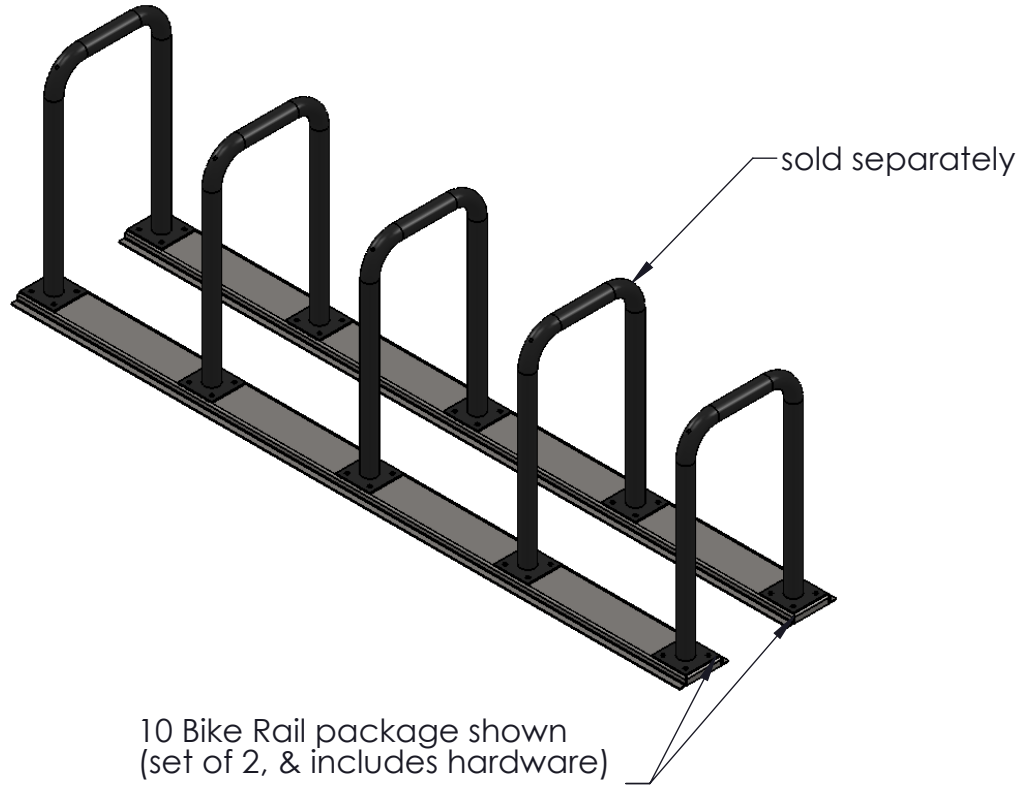
PRODUCT DESCRIPTION :
KENNEDY BIKE RACK

2855 GIRTS ROAD
JAMESTOWN, NY 14701

KENNEDY BIKE RACK WITH RACK EXTENSION RAILS MODEL #13143-X-X

- 2 bike dual sided rack capable of parking 1 bike per side.
- The u-frame is fabricated using 2-3/8" OD tube/pipe and (2) 1/4" thick steel surface mounting plates or (2) 1" x 6-1/2" 12 ga. steel in-ground anchors.
- Extension rails are constructed from 3/16" (7 ga.) A36 steel.
- 1/2 bolts are used to assemble the standard pad mount bike racks to the rails (hardware provided).
- Approximate weight of the rails only (set of 2 + hardware) = 135 lbs

OPTIONS
14 BIKE RAIL SET
12 BIKE RAIL SET
10 BIKE RAIL SET
8 BIKE RAIL SET
6 BIKE RAIL SET
4 BIKE RAIL SET



WARNING: MUST BE PERMANENTLY MOUNTED

CUSTOMER APPROVAL :

DATE :



THIS DRAWING, WHICH CONTAINS PROPRIETARY INFORMATION, IS THE PROPERTY OF JAMESTOWN ADVANCED PRODUCTS CORPORATION. IT SHALL NOT BE REPRODUCED IN ANY MANNER NOR DISCLOSED TO THIRD PARTIES WITHOUT WRITTEN PERMISSION OF JAMESTOWN ADVANCED PRODUCTS CORPORATION.

DATE : 21 JUNE 13

PRODUCT PART NUMBER : 13143

REV. NO.

PRODUCT DESCRIPTION :
KENNEDY BIKE RACK

2855 GIRTS ROAD
JAMESTOWN, NY 14701