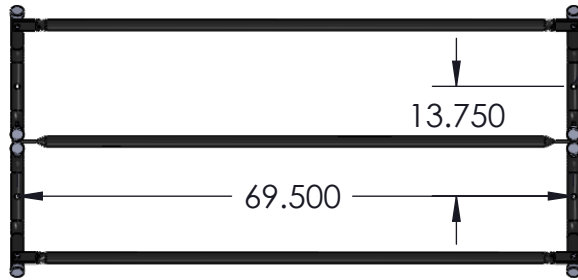
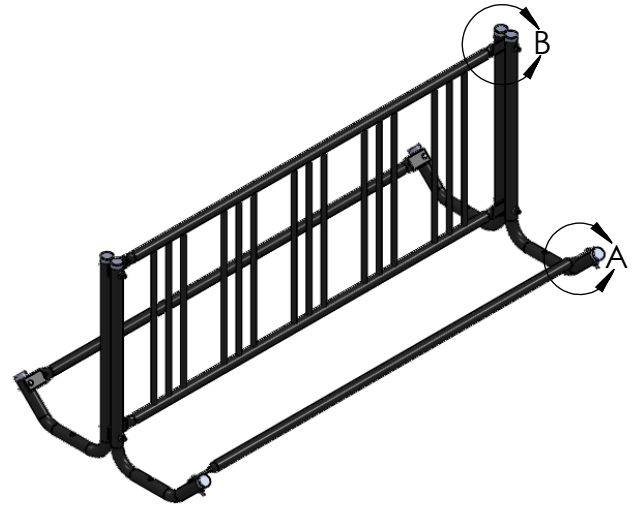
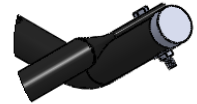
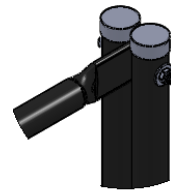


GERRY BIKE RACK
MODEL #13206-10BK

- 10 bike, dual sided rack capable of parking 5 bikes per side.
- The end frames are fabricated using 1-1/2" OD x 0.065 wall steel tube. The cross tube supports are 1" schedule 40 pipe, and the vertical stall bars are 5/8" OD solid steel rod.
- All welded component fabrication.
- The end frames and vertical stall structure bolt together so the bike rack may ship flat to reduce shipping and handling costs.
- The vertical stalls hold the front or back tire securely.
- Maximum tire width acceptable is 2".
- Hot dip galvanized finish applied after fabrication.
- Approximate weight = 90lbs.

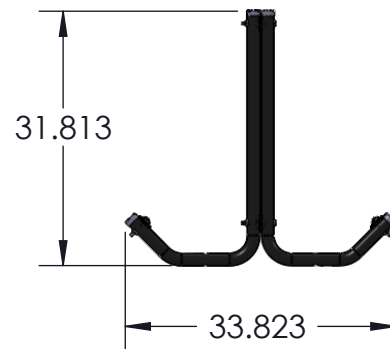
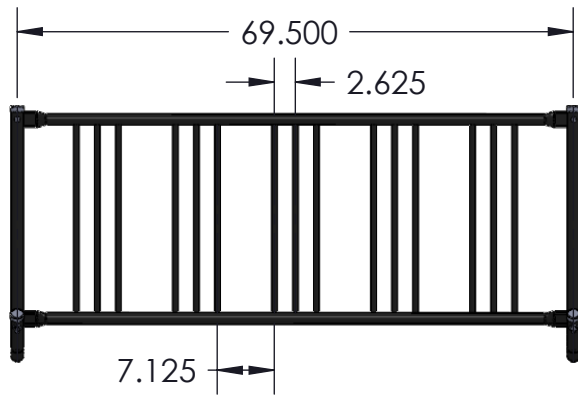


Ø .625
 GROUND ANCHOR HOLES
 (4 PLACES)



DETAIL B
 SCALE 1 : 8

DETAIL A
 SCALE 1 : 8



WARNING: MUST BE PERMANENTLY MOUNTED

CUSTOMER APPROVAL :

DATE :



THIS DRAWING, WHICH CONTAINS PROPRIETARY INFORMATION, IS THE PROPERTY OF JAMESTOWN ADVANCED PRODUCTS CORPORATION. IT SHALL NOT BE REPRODUCED IN ANY MANNER NOR DISCLOSED TO THIRD PARTIES WITHOUT WRITTEN PERMISSION OF JAMESTOWN ADVANCED PRODUCTS CORPORATION.

DATE : 5/13/11

PRODUCT PART NUMBER : 13206-10BK

REV. NO. 2 12/10/15

PRODUCT DESCRIPTION :

GERRY BIKE RACK

2855 GIRTS ROAD
 JAMESTOWN, NY 14701