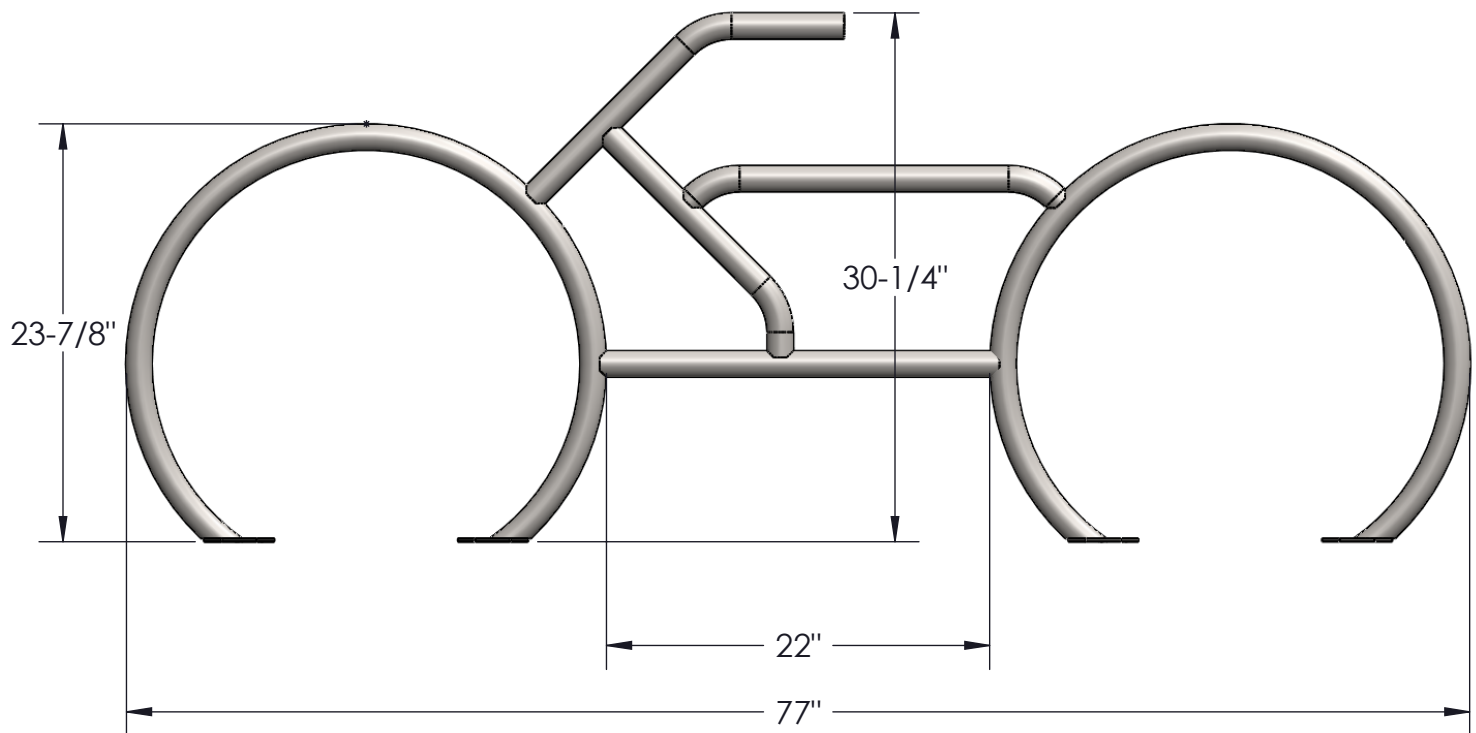


14087 JAMESTOWN BIKE RACK

- This stylish and functional design is sturdy enough to withstand the rigors of any city.
- The two circular wheels allow this bike rack to accommodate multiple bikes.
- All welded construction using 1.500" diameter x .065" wall steel tube.
- Four foot plates allow for secure anchoring to any surface.
- The Jamestown Bike rack is available in a variety of finishes.



WARNING: MUST BE PERMANENTLY MOUNTED

CUSTOMER APPROVAL :

DATE :

JAMESTOWN
ADVANCED
PRODUCTS
CORPORATION

THIS DRAWING, WHICH CONTAINS PROPRIETARY INFORMATION, IS THE PROPERTY OF JAMESTOWN ADVANCED PRODUCTS CORPORATION. IT SHALL NOT BE REPRODUCED IN ANY MANNER NOR DISCLOSED TO THIRD PARTIES WITHOUT WRITTEN PERMISSION OF JAMESTOWN ADVANCED PRODUCTS CORPORATION.

DATE : SEPT 12, 2009

PRODUCT PART NUMBER : 14087

REV. NO. 2 12/10/15

PRODUCT DESCRIPTION :
JAMESTOWN BIKE RACK

2855 GIRTS ROAD
JAMESTOWN, NY 14701