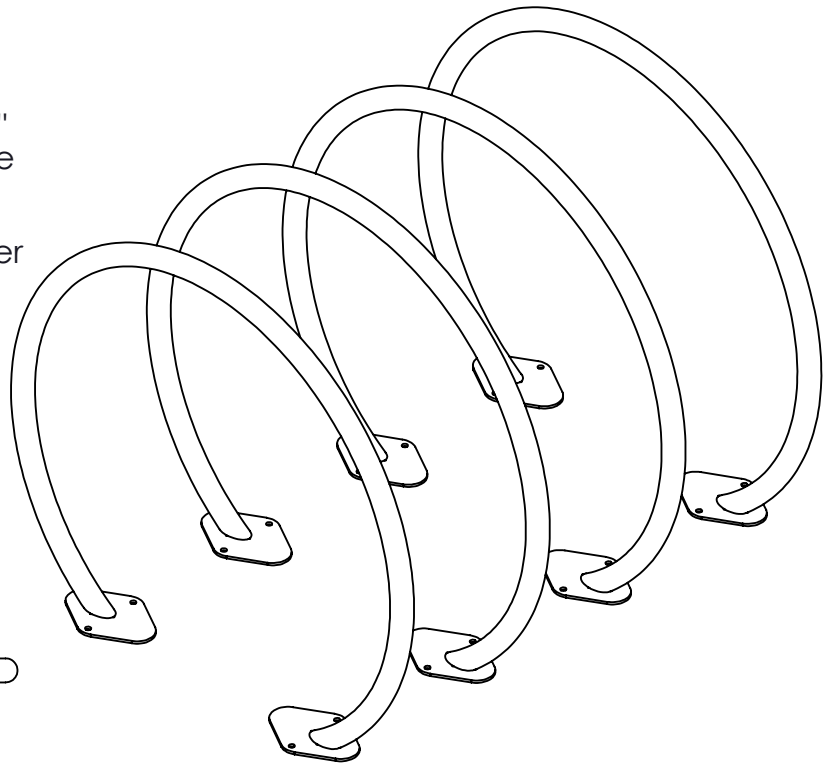
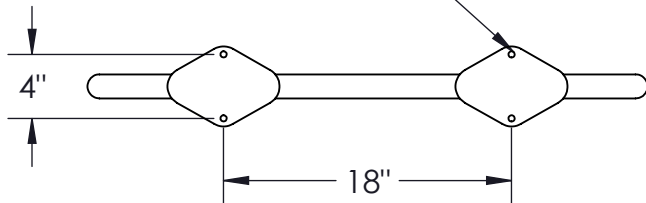


SINGLE HOOP BIKE RACK

- This bike rack is a straight forward solution to parking & securing bicycles.
- The rack has a round shape with two anchor points to allow for two bikes to be parked per bike rack.
- The bike rack is made of 1.5" dia. x .120" wall steel tube & mounting plates made of 3/16" thick steel.
- There are 2 holes per foot mount for a total of 4 anchor points for 3/8" diameter anchors (hardware not included).
- Standard finish is a non-toxic powder coat.
- Estimated Weight: 50lbs.

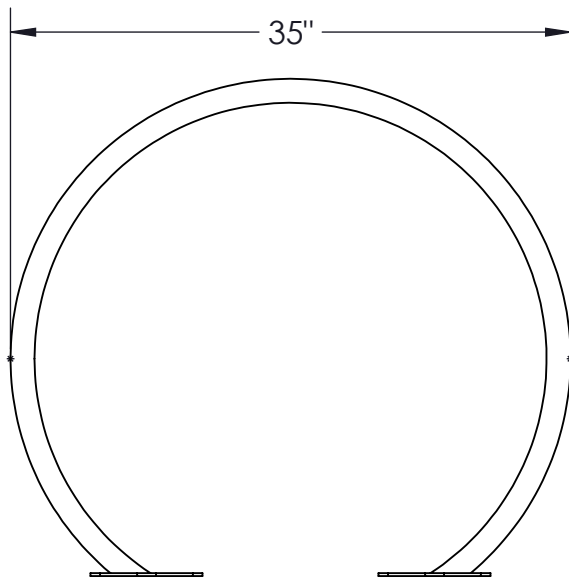


4 MOUNTING HOLES FOR 3/8" ANCHORS



MOUNTING HOLES DETAIL

SHOWN WITH MULTIPLE IN A GROUPING



WARNING MUST BE PERMANENTLY MOUNTED

CUSTOMER APPROVAL :

DATE :

JAMESTOWN
ADVANCED
PRODUCTS
CORPORATION

THIS DRAWING, WHICH CONTAINS PROPRIETARY INFORMATION, IS THE PROPERTY OF JAMESTOWN ADVANCED PRODUCTS CORPORATION. IT SHALL NOT BE REPRODUCED IN ANY MANNER NOR DISCLOSED TO THIRD PARTIES WITHOUT WRITTEN PERMISSION OF JAMESTOWN ADVANCED PRODUCTS CORPORATION.

DATE : 4/25/19

PRODUCT PART NUMBER : 17120

REV. NO.

PRODUCT DESCRIPTION :
SINGLE HOOP BIKE RACK

2855 GIRTS ROAD
JAMESTOWN, NY 14701