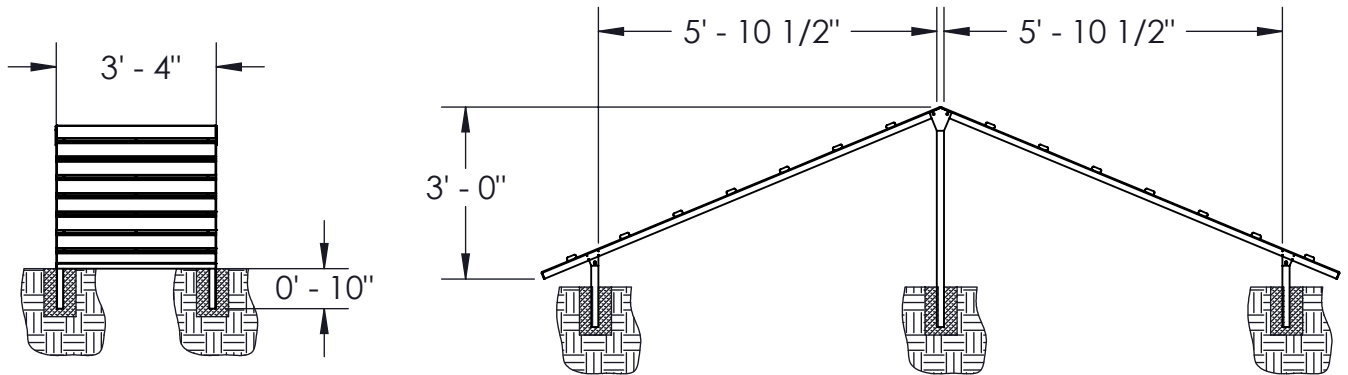
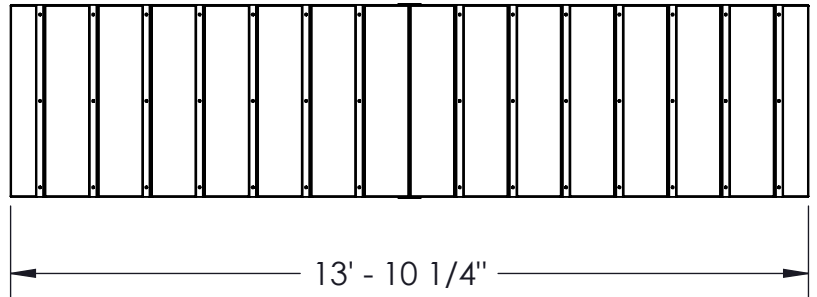


- Reinforced 1/8" thick steel construction.
- A-frame is supported by 1-1/2" x 1/8" thick steel tubing to be placed in concrete. (concrete not supplied)
- Recycled plastic planks for traction.
- Standard finish is Thermoplastic coating.
- Powder coated steel posts.
- Stainless steel hardware.
- Estimated weight: 340lbs



WARNING: MUST BE PERMANENTLY MOUNTED

CUSTOMER APPROVAL :

DATE :

JAMESTOWN
ADVANCED
PRODUCTS
 CORPORATION

THIS DRAWING, WHICH CONTAINS PROPRIETARY INFORMATION, IS THE PROPERTY OF JAMESTOWN ADVANCED PRODUCTS CORPORATION. IT SHALL NOT BE REPRODUCED IN ANY MANNER NOR DISCLOSED TO THIRD PARTIES WITHOUT WRITTEN PERMISSION OF JAMESTOWN ADVANCED PRODUCTS CORPORATION.

DATE : 5/10/11

PRODUCT PART NUMBER : 14547

REV. NO. 2 12/10/15

PRODUCT DESCRIPTION :

3' HIGH A-FRAME

2855 GIRTS ROAD
 JAMESTOWN, NY 14701