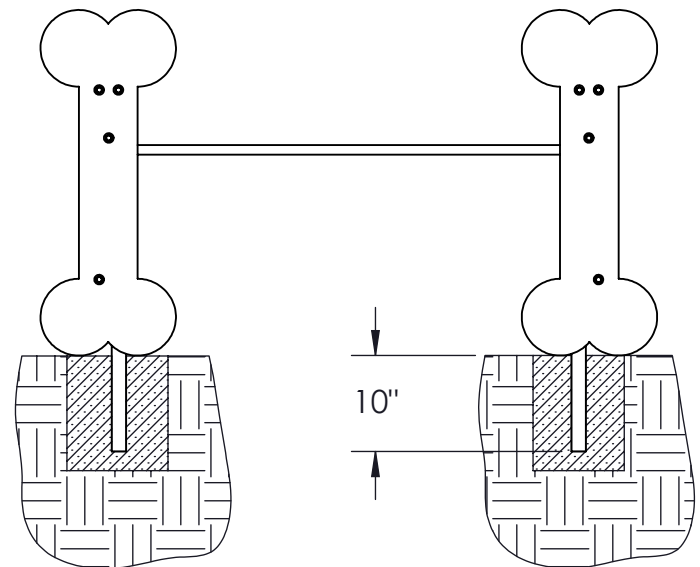
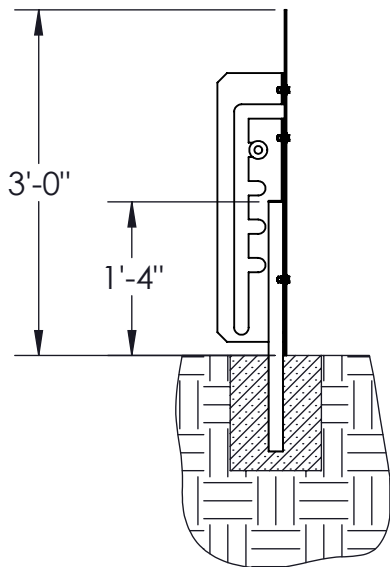
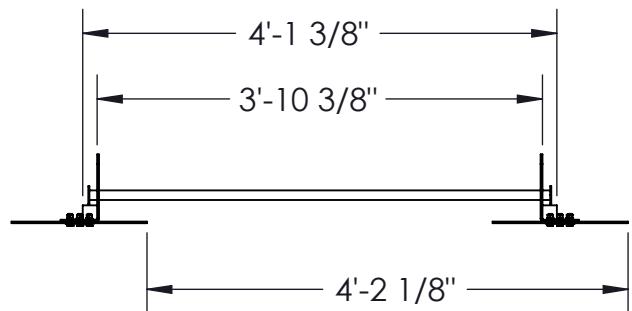
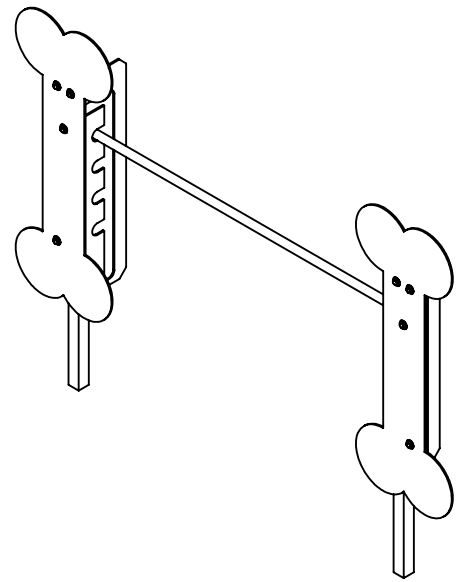


- Constructed from 1/8" & 3/16" thick A36 steel.
- Jump is supported by 1-1/2" x 1/8" thick tubing to be placed in concrete. (concrete not supplied)
- Jump bar is constructed from solid aluminum.
- Jump bar drops from position with minimal contact to help avoid injury.
- There are 5 AKC regulation jump heights.
- Thermoplastic coating.
- Powder coated steel posts.
- Stainless steel hardware.
- Estimated weight: 75"lbs



WARNING: MUST BE PERMANENTLY MOUNTED

CUSTOMER APPROVAL :

DATE :

JAMESTOWN
ADVANCED
PRODUCTS
CORPORATION

THIS DRAWING, WHICH CONTAINS PROPRIETARY INFORMATION, IS THE PROPERTY OF JAMESTOWN ADVANCED PRODUCTS CORPORATION. IT SHALL NOT BE REPRODUCED IN ANY MANNER NOR DISCLOSED TO THIRD PARTIES WITHOUT WRITTEN PERMISSION OF JAMESTOWN ADVANCED PRODUCTS CORPORATION.

DATE : 5/10/11

PRODUCT PART NUMBER : 14548

REV. NO. 2 12/10/15

PRODUCT DESCRIPTION :

ADJUSTABLE DOG BONE JUMP

2855 GIRTS ROAD
JAMESTOWN, NY 14701