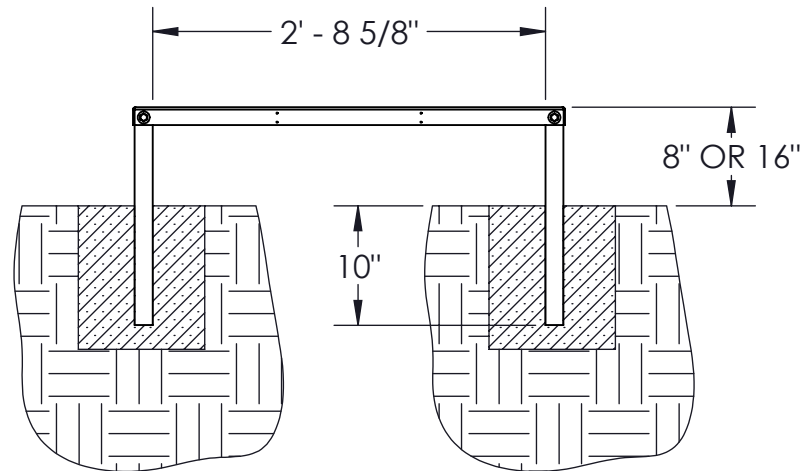
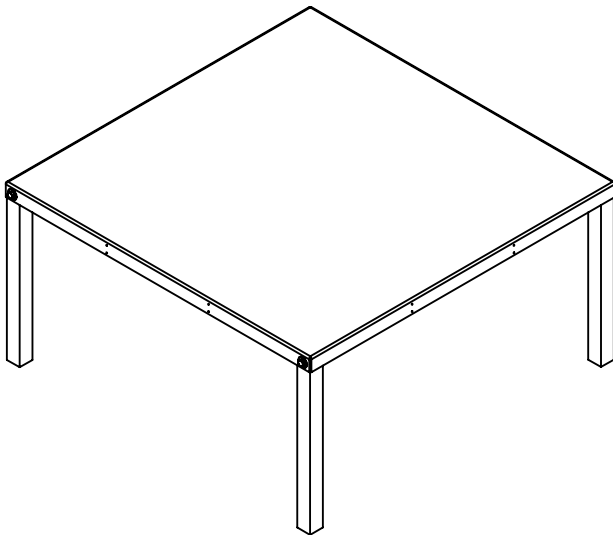
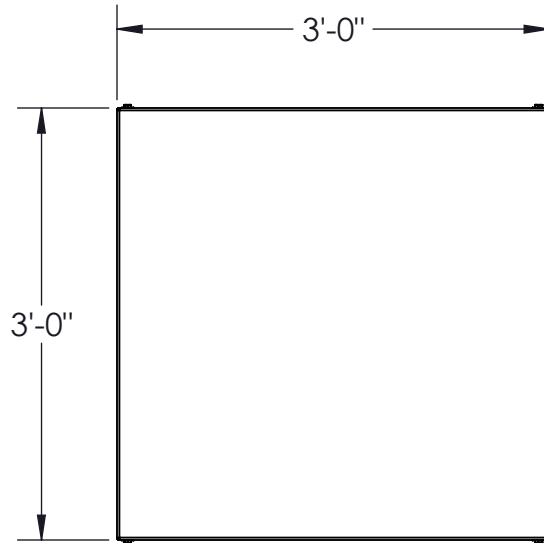


- Constructed from 1/8" & 3/16" thick A36 steel.
- Wait table is supported by 1-1/2" x 1/8" thick steel tube to be placed in concrete. (concrete not supplied)
- Standard finish is Thermoplastic coating.
- Powder coated steel posts.
- Stainless steel hardware.
- Estimated weight:
 8" wait table (14550-1) =70lbs
 16" wait table (14550-2) =75lbs



WARNING: MUST BE PERMANENTLY MOUNTED

CUSTOMER APPROVAL :

DATE :

JAMESTOWN
 ADVANCED
 PRODUCTS
 CORPORATION

THIS DRAWING, WHICH CONTAINS PROPRIETARY INFORMATION, IS THE PROPERTY OF JAMESTOWN ADVANCED PRODUCTS CORPORATION. IT SHALL NOT BE REPRODUCED IN ANY MANNER NOR DISCLOSED TO THIRD PARTIES WITHOUT WRITTEN PERMISSION OF JAMESTOWN ADVANCED PRODUCTS CORPORATION.

DATE : 5/10/11

PRODUCT PART NUMBER : 14550-1 & -2

REV. NO. 2 12/10/15

PRODUCT DESCRIPTION :
 8" & 16" WAIT TABLES

2855 GIRTS ROAD
 JAMESTOWN, NY 14701

PHONE 800-452-0639 -- FAX 716-483-5398 -- WWW.JAMESTOWNADVANCED.COM