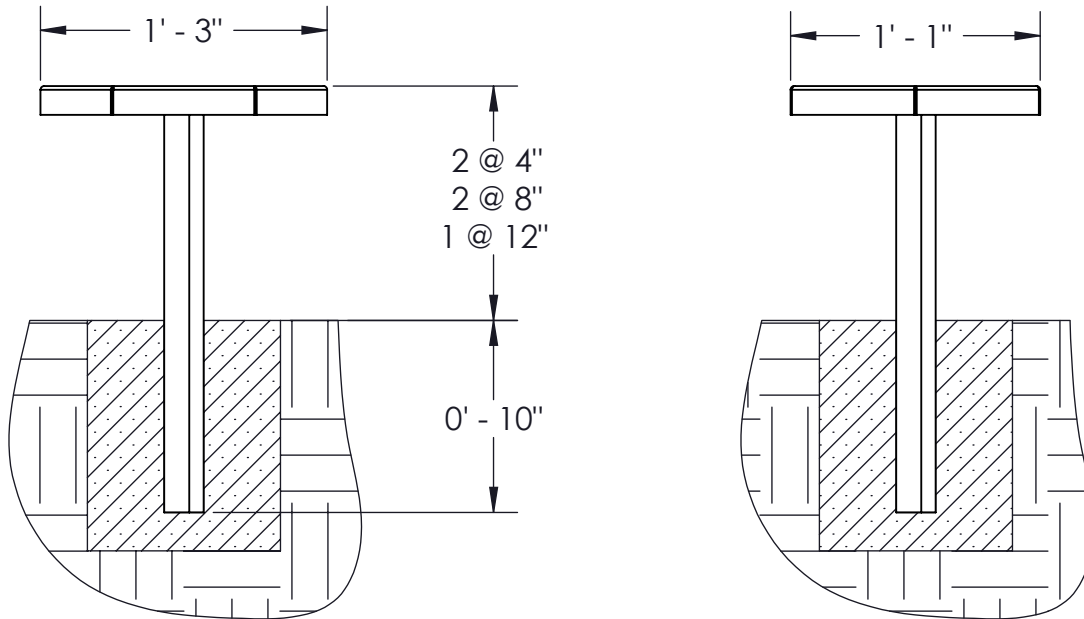
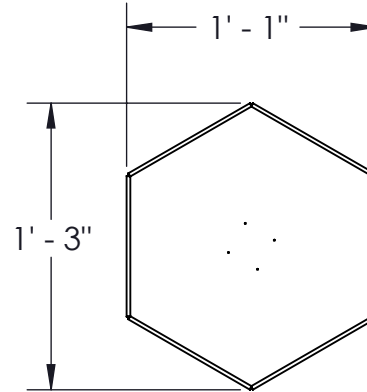


- Constructed from 1/8" thick A36 steel.
- Agility walk is supported by 1-1/2" x 1/8" thick square tubing to be placed in concrete. (concrete not supplied)
- Standard finish is Thermoplastic coating.
- Powder coated steel posts.
- Stainless steel hardware.
- Estimated weight:
 - 4" = 10 lbs
 - 8" = 11 lbs
 - 12" = 12 lbs



WARNING: MUST BE PERMANENTLY MOUNTED

CUSTOMER APPROVAL :

DATE :

JAMESTOWN
ADVANCED
PRODUCTS
 CORPORATION

THIS DRAWING, WHICH CONTAINS PROPRIETARY INFORMATION, IS THE PROPERTY OF JAMESTOWN ADVANCED PRODUCTS CORPORATION. IT SHALL NOT BE REPRODUCED IN ANY MANNER NOR DISCLOSED TO THIRD PARTIES WITHOUT WRITTEN PERMISSION OF JAMESTOWN ADVANCED PRODUCTS CORPORATION.

DATE : 5/11/11

PRODUCT PART NUMBER : 14555

REV. NO. 2 12/10/15

PRODUCT DESCRIPTION :

AGILITY WALK (SOLD AS A SET OF 5)

2855 GIRTS ROAD
 JAMESTOWN, NY 14701