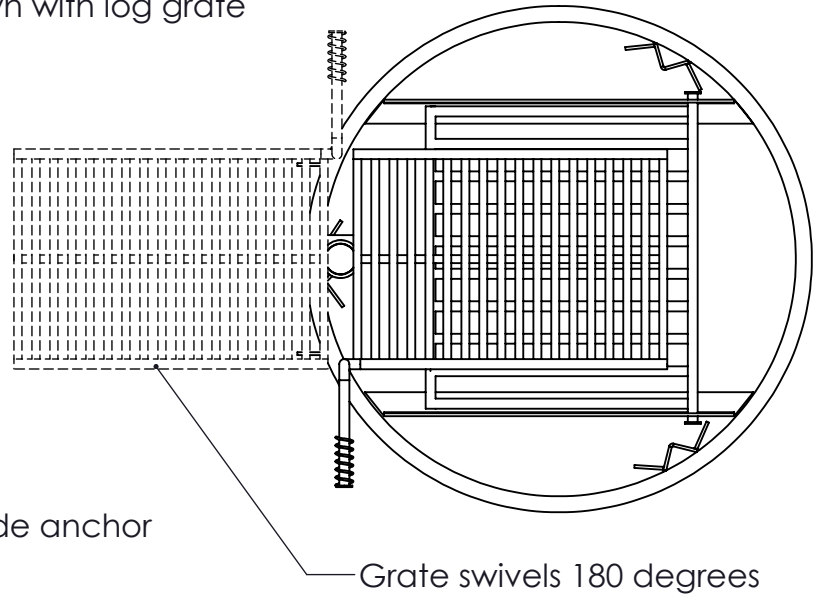
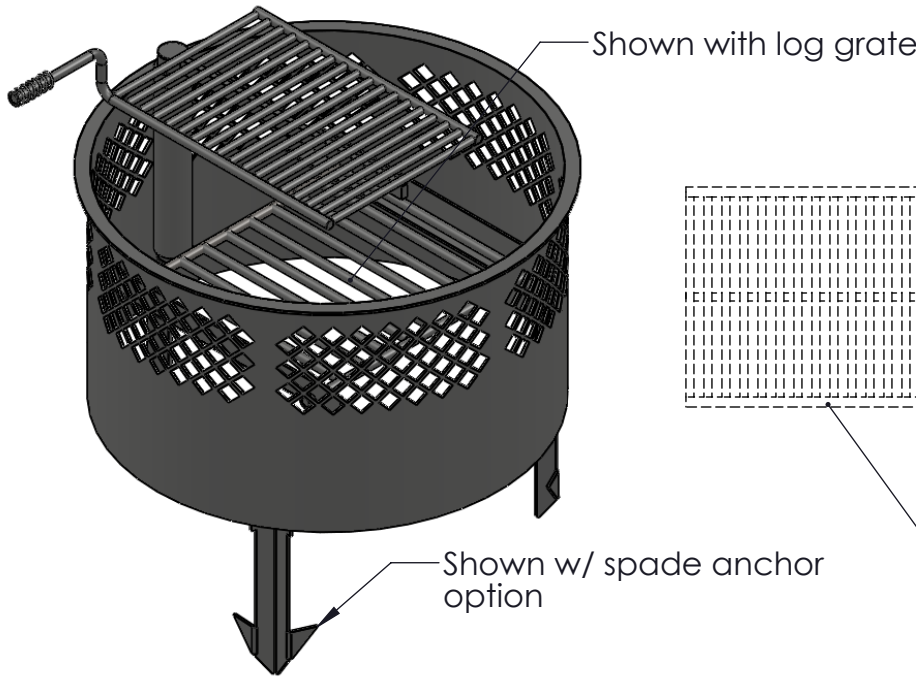
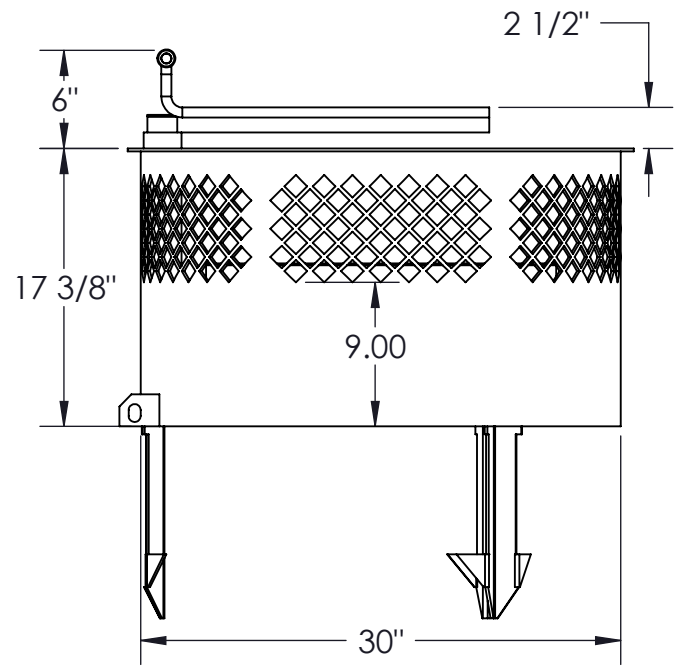


14364	w/ cooking grate & log grate
14364-1	w/out log grate
14364-2	w/out cooking grate
14364-3	ring only
14364-4	cooking grate & log grate w/ spade anchors
14364-5	w/out log grate, w/ spade anchors
14364-6	w/out cooking grate, w/ spade anchors
14364-7	ring only w/ spade anchors

- The swivel grate takes less than 5 pounds of force to rotate 180 degrees.
- Ring is constructed of 7 ga. A36 steel with viewing windows (13-3/4" x 6-3/4") 9" off the ground.
- Grate handle (never over the fire) is constructed from 5/8" A36 steel bar with stay cool spring grips suitable for public use.
- Hinged log grate located 9" above ground level.
- Log grate is constructed of 5/8" A36 steel bar.
- Cooking grate is constructed from 1/2" A36 steel bars located on 1-1/8" centers, with cooking area of 270 square inches.
- All joints are continuously welded.
- All exposed corners are chamfered for safety.
- Standard finish is a non-toxic black powder coat .
- Approximate weight : 130 pounds



WARNING: MUST BE PERMANENTLY MOUNTED

CUSTOMER APPROVAL :

DATE :

JAMESTOWN
ADVANCED
PRODUCTS
CORPORATION

THIS DRAWING, WHICH CONTAINS PROPRIETARY INFORMATION, IS THE PROPERTY OF JAMESTOWN ADVANCED PRODUCTS CORPORATION. IT SHALL NOT BE REPRODUCED IN ANY MANNER NOR DISCLOSED TO THIRD PARTIES WITHOUT WRITTEN PERMISSION OF JAMESTOWN ADVANCED PRODUCTS CORPORATION.

DATE : 9 / 22 / 2010

PRODUCT PART NUMBER : 14364

REV. NO. 2 12/10/15

PRODUCT DESCRIPTION :

30" DIAMETER FIRE VIEW RING

2855 GIRTS ROAD
JAMESTOWN, NY 14701

PHONE 800-452-0639 -- FAX 716-483-5398 -- WWW.JAMESTOWNADVANCED.COM