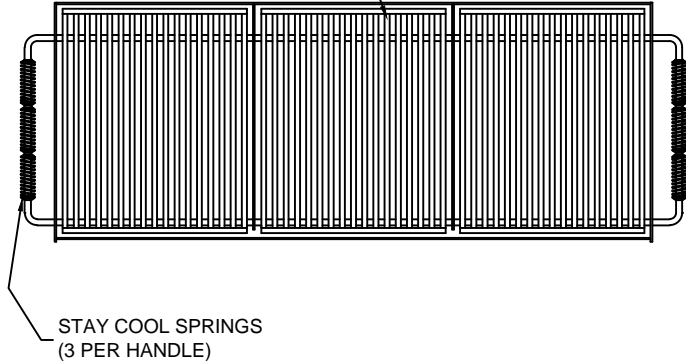
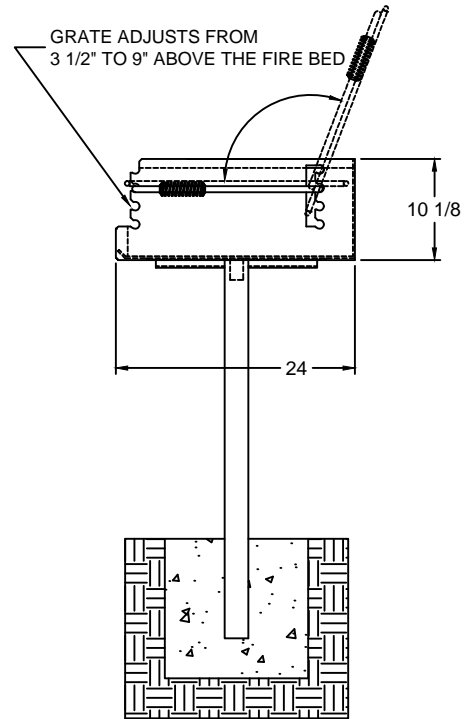
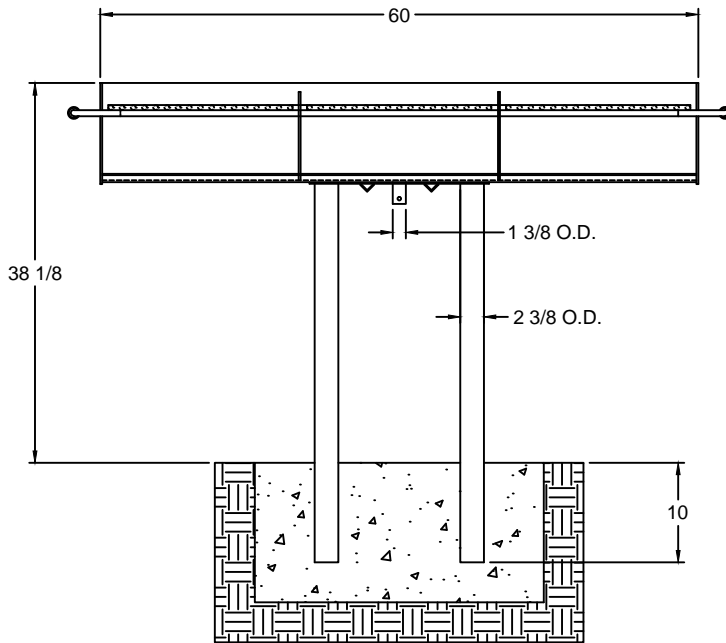


GRATE : 1/2 DIAM. STEEL BARS ON
1 1/8" CENTERS (TYP. 3 GRATES)



- Firebox components constructed of ASTM: A1011, 3/16" thick steel. Underside of Firebox is reinforced with 3/16" thick x 1" steel bar rectangular framework.
- Firebox is constructed with an integral ash retention flange and drain holes.
- Firebox overall dimensions are : 60" long x 24" deep x 10 1/8" high
- All joints are continuously welded.
- Four position, theft proof, 1440 sq. in. of cooking grate constructed from 1/2" Diam. A36 steel bars on 1 1/8" centers that adjusts from 3 1/2" to 9" above the fire bed.
- A36, 5/8" Diam. steel bar grate handles with stay cool spring grips suitable for public use.
- Pedestal is constructed of a 3/16" thk. x 18" dia. steel plate. The pedestal has two 2" sch. 40 x 38" lg. pipes welded to the underside, along with two angle reinforcements.
- A 1" sch. 40 pipe is welded to the underside of the firebox, and will penetrate through the pedestal support plate for the receipt of a padlock (not included).
- All exposed corners are chamfered for safety
- Non-toxic black powder coated finish standard



WARNING: MUST BE PERMANENTLY MOUNTED

CUSTOMER APPROVAL :

DATE :

JAMESTOWN
ADVANCED
PRODUCTS
CORPORATION

THIS DRAWING, WHICH CONTAINS PROPRIETARY INFORMATION, IS THE PROPERTY OF JAMESTOWN ADVANCED PRODUCTS CORPORATION. IT SHALL NOT BE REPRODUCED IN ANY MANNER NOR DISCLOSED TO THIRD PARTIES WITHOUT WRITTEN PERMISSION OF JAMESTOWN ADVANCED PRODUCTS CORPORATION.

DATE : 3-14-01

PRODUCT PART NUMBER : 11666

REV. NO. 3 12/10/15

PRODUCT DESCRIPTION :

24" X 60" FLIP BACK GRILL

2855 GIRTS ROAD
JAMESTOWN, NY 14701

PHONE 800-452-0639 -- FAX 716-483-5398 -- WWW.JAMESTOWNADVANCED.COM