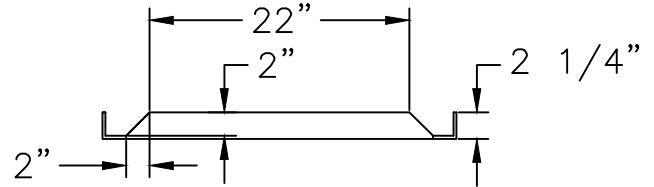
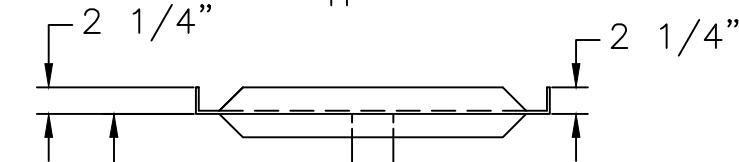
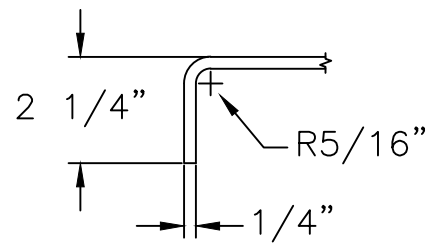
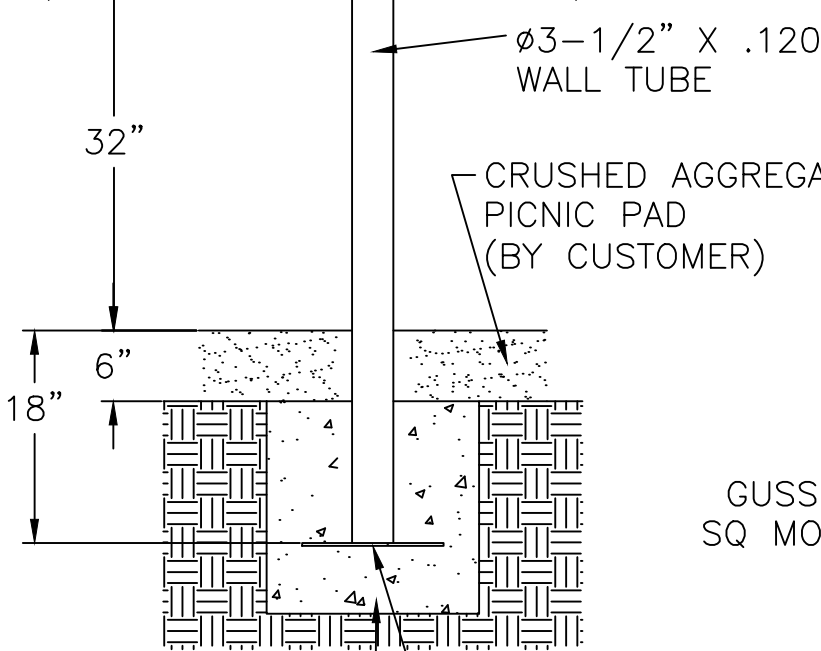


- Utility Table is 30" long x 18" deep x 2-1/4" high constructed of 1/4" thick steel plate.
- Utility Table is supported by a \varnothing 3-1/2" x 1/8" thk. steel tubing to be placed in concrete. A 5/8" rod will be welded on the bottom of the tube .
- All joints are continuously welded.
- All exposed corners are chamfered for safety.
- Standard finish is a non-toxic black powder coat.
- Approximate weight = 80 lbs.

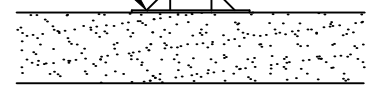


VIEW B - B



SECTION A - A

GUSSETED 10X10 SQ MOUNTING PAD



OPTIONAL PAD MOUNT

CONCRETE FOOTING (BY CUSTOMER) 5/8" DIA. STEEL ROD SUPPORT

NOTE : CUSTOMER TO PROVIDE CONCRETE (RECOMMENDED)

WARNING: MUST BE PERMANENTLY MOUNTED

CUSTOMER APPROVAL :

DATE :

JAMESTOWN
ADVANCED
PRODUCTS
CORPORATION

THIS DRAWING, WHICH CONTAINS PROPRIETARY INFORMATION, IS THE PROPERTY OF JAMESTOWN ADVANCED PRODUCTS CORPORATION. IT SHALL NOT BE REPRODUCED IN ANY MANNER NOR DISCLOSED TO THIRD PARTIES WITHOUT WRITTEN PERMISSION OF JAMESTOWN ADVANCED PRODUCTS CORPORATION.

DATE : 12-06-05

PRODUCT PART NUMBER : 12585

REV. NO. 2 12/10/15

PRODUCT DESCRIPTION :
Utility Table 30" x 18" x 2-1/4" sides 1/4" thk plate
with \varnothing 3-1/2 X 1/8 thk. support post

2855 GIRTS ROAD
JAMESTOWN, NY 14701

PHONE 800-452-0639 -- FAX 716-483-5398 -- WWW.JAMESTOWNADVANCED.COM