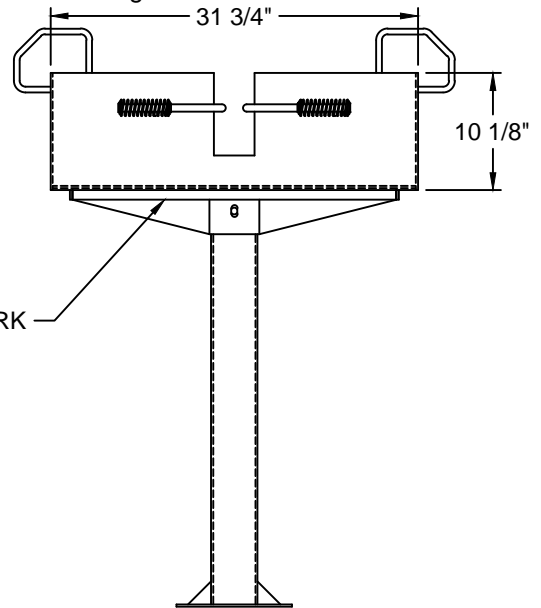
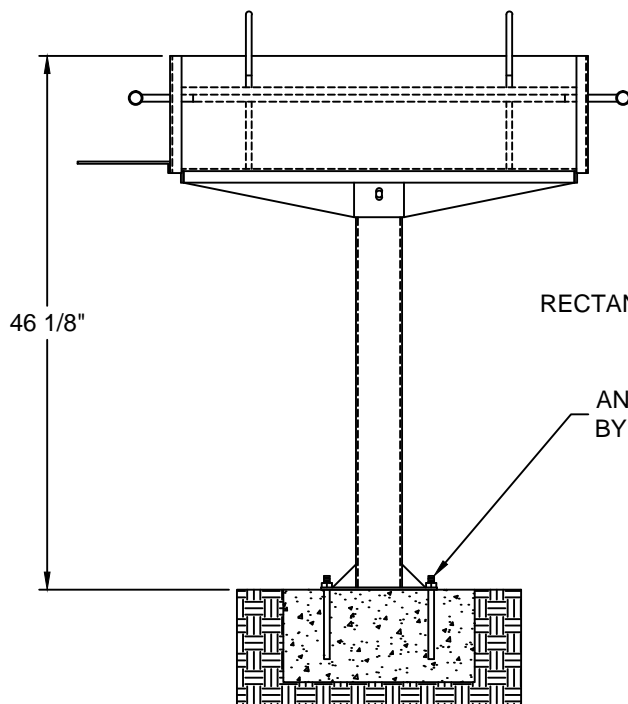


- Firebox is 36 1/8" lg. x 31 3/4" deep x 10 1/8" high constructed of 3/16" thick steel (A1011) with drain holes.
- Underside of firebox is reinforced with 4" tapered gussets and 3/16" thick x 1" steel bar rectangular framework.
- Two separate grates are constructed from 1/2" dia. A36 steel bars located on 1 1/8" centers. The fully adjustable grates adjust from 4" to 12" above the firebed & tilt back for easy cleaning. Each grate has a cooking area of 520 sq. inches for a total of 1040 sq. inches.
- Grate handles are constructed from 5/8" dia. A36 steel bars equipped with stay cool spring grips suitable for public use.
- Grill is supported by a heavy duty 4" square gusseted post for stationary concrete mounting. Post mounting plate is 3/16" thick x 10" x 10" and has four holes located on 8 1/2" centers.
- Standard shelf is 31 3/4" long x 8" deep.
- All joints are continuously welded.
- All exposed corners are chamfered for safety.
- Standard finish is a non-toxic black powder coat.
- Approximate weight = 215 lbs.



RECTANGULAR FRAMEWORK

ANCHORS SUPPLIED BY CUSTOMER

NOTE : CUSTOMER TO PROVIDE CONCRETE ( RECOMMENDED )

**WARNING: MUST BE PERMANENTLY MOUNTED**

**INSTALLATION INSTRUCTIONS:**

After post is anchored to the concrete, lower post receiver box onto the post. Align holes and secure with the hardware provided.

CUSTOMER APPROVAL :

DATE :

**JAMESTOWN**  
ADVANCED  
PRODUCTS  
CORPORATION

THIS DRAWING, WHICH CONTAINS PROPRIETARY INFORMATION, IS THE PROPERTY OF JAMESTOWN ADVANCED PRODUCTS CORPORATION. IT SHALL NOT BE REPRODUCED IN ANY MANNER NOR DISCLOSED TO THIRD PARTIES WITHOUT WRITTEN PERMISSION OF JAMESTOWN ADVANCED PRODUCTS CORPORATION.

DATE : 11-18-08

PRODUCT PART NUMBER : 13773

REV. NO. 2 12/10/15

PRODUCT DESCRIPTION :

LARGE GROUP GRILL

2855 GIRTS ROAD  
JAMESTOWN, NY 14701

PHONE 800-452-0639 -- FAX 716-483-5398 -- WWW.JAMESTOWNADVANCED.COM