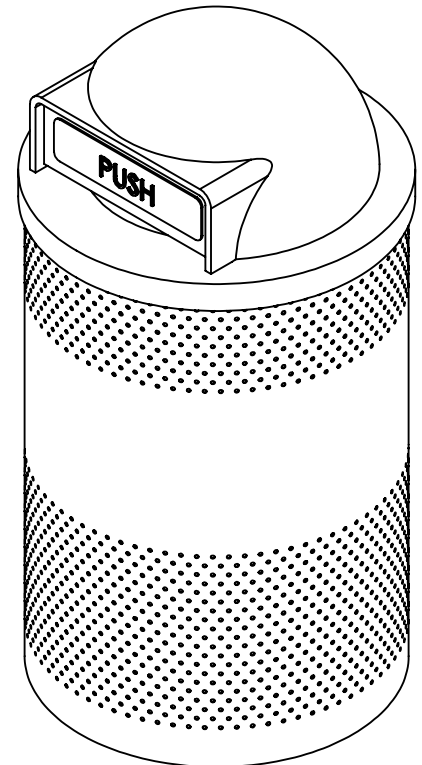
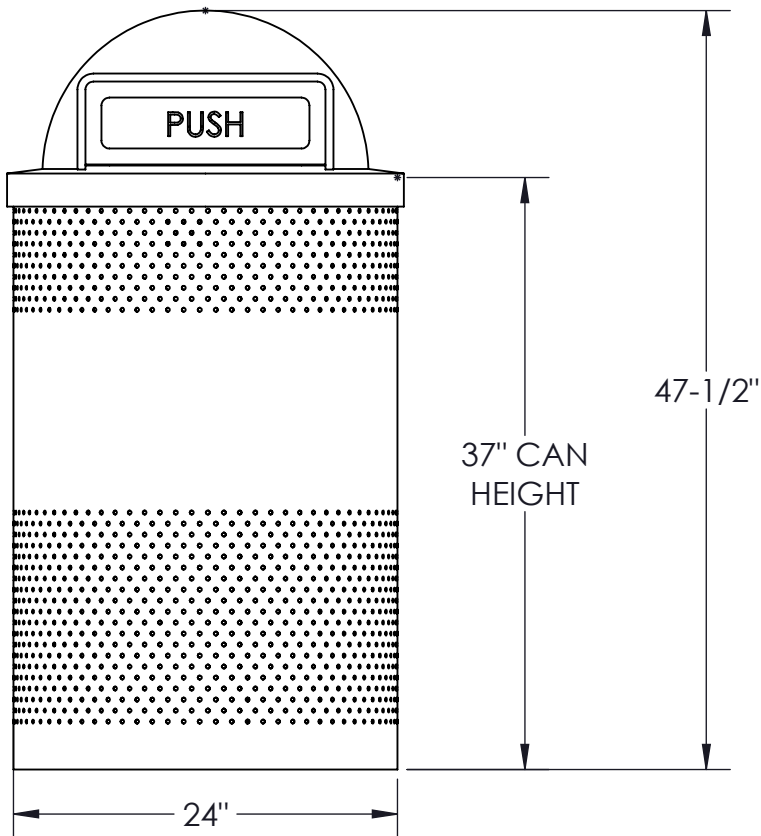


- Perforated pattern trash receptacle to cover a 55 gallon trash can.
- 55 gallon trash liner & plastic dome lid are included.
- Unit is 24" diameter x 47-1/2" high (dimensions are nominal).
- Available in Powder coat or Thermoplastic finish.
- Ground mounting holes come standard.
- Mounting hardware not included.
- Apporximate weight: 75lbs



WARNING: MUST BE PERMANENTLY MOUNTED

CUSTOMER APPROVAL :

DATE :

JAMESTOWN
ADVANCED
PRODUCTS
CORPORATION

THIS DRAWING, WHICH CONTAINS PROPRIETARY INFORMATION, IS THE PROPERTY OF JAMESTOWN ADVANCED PRODUCTS CORPORATION. IT SHALL NOT BE REPRODUCED IN ANY MANNER NOR DISCLOSED TO THIRD PARTIES WITHOUT WRITTEN PERMISSION OF JAMESTOWN ADVANCED PRODUCTS CORPORATION.

DATE : 1/27/17

PRODUCT PART NUMBER : 16595-002

REV. NO.

PRODUCT DESCRIPTION :

55 GALLON ROUND PERF. TRASH CAN ASSY (37" TALL CAN)

2855 GIRTS ROAD
JAMESTOWN, NY 14701

PHONE 800-452-0639 -- FAX 716-483-5398 -- WWW.JAMESTOWNADVANCED.COM